

INDUSTRIAL METALWORK

BAERT



HYDRAULIC UNLOADING PLATFORM

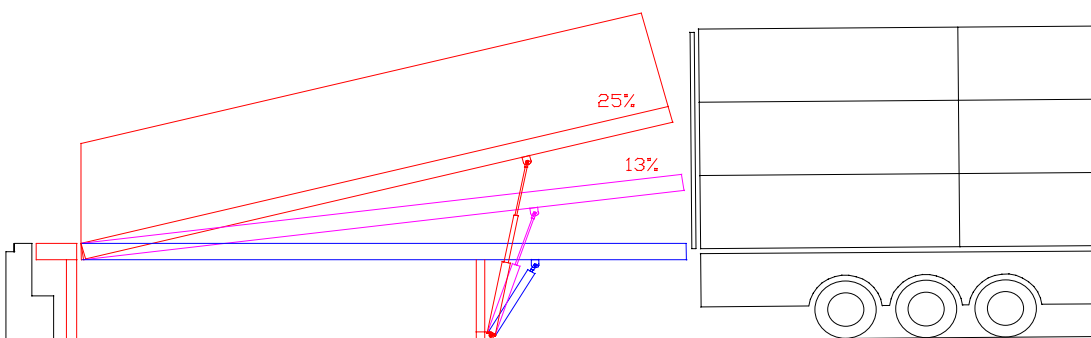
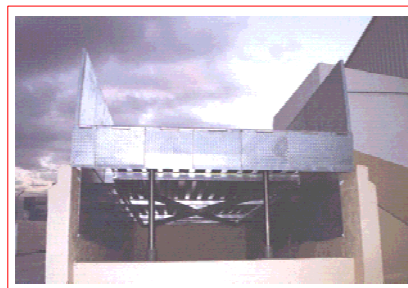


Specially designed for unloading multi-deck lorries, the hydraulic unloading platform comprises:

- 1 strong 120 "U" / 120 "I" / 80 "I" section / 4/6 bulb plate structure.
- 1 anti-slip rubber mat.
- 1 set of metal adjustment flaps for the lorry.
- 1 set of polyethylene peripheral barriers.
- 1 set of two leaf entrance doors.
- 1 set of two leaf exit doors.
- 1 set of safety cover plates.
- 1 set of junction pieces with the unloading dock.

- 1 oil pump.
- 2 telescopic cylinders on journals
- 2 balance valves
- 1 fixed electrical control unit

WEIGHT: 2450 KG
LENGTH: 7.00M
WIDTH: 2.60M
HEIGHT: 1.20 TO 3.00M



SPECIALISED
AGRO-EQUIPEMENT

61400 MAUVES SUR HUISNE
France
Tel : +33 (0)2 33 83 83 44
Fax : +33 (0)2 33 83 80 13
e-mail : info@baert.fr
Internet : <http://www.baert.fr>